




Primo

bay 
product





NATURAL APPEAL

Wood stained arm caps and laminate end panels bring natural beauty and elegance.

COMFORTABLE DESIGN

Molded polyurethane seat and back are ergonomically contoured for hours of support and comfort.

DURABLE ARMREST

Rugged armrest, are in scratch proof polypropylene, when used with a tablet, designed to withstand the most demanding environments.



SCRATCH PROOF TABLET

Large laminate tablets, are made to stand-up to any combination of challenges and still remain a solid piece.



MEMORY SEAT

Automatically returning, uses springs for a soft close.



SIDE SEAT ID

Ergonomically design row numbering helps users easily find their seats.

PRIMO

EASY TO MAINTAIN

Injection molded polymer full backs are designed to withstand rigorous abuse and are easy to clean.



MEMORY SEAT

Make the Primo your own and add an upholstered insert or laminate inlay.

IN THE DETAILS

Sewn pieces are topped stitched for superior strength and quality.

CUT TO PRECISION

Perfectly designed and engineered legs are cut to precision and welded internally for a clean finish.

TECHNICAL SPECIFICATIONS

- Fully dismantlable armchair.
- Mid Back Compact Center-to-Center 20" (510 mm).
- Mid Back Standard Center-to-Center 21" (535 mm).
- Mid Back Comfort Center-to-Center 22" (560 mm).

SEAT

- Seat assembly is constructed of inner ABS seat frame with Serpentine Spring and Covered with polyurethane molded foam, with a min. thickness of 1.8" (30 mm) and a max. thickness of 4.3" (110 mm).
- The under seat is covered by an injection-molded polypropylene seat cover.
- All pivoting and positioning are concealed within the seat cushion assembly, thereby eliminating all pinch points.
- Average foam density is 3.4 lb/ft³ (55 kg/m³).
- The foam meets flammability requirements of CAL117/CAL133/BS5852
- The seat is upholstered with single needle top stitch.

BACK

- The back constructions consist of cross-laminated moulded veneer and polyurethane foam.
- The back is made of 12 mm double contoured cross-laminated beech veneer.
- The padding of the backrest is filled with self-extinguishing contoured open-cell polyurethane foam, with the average thickness of 70 mm and density of 3.4 lb/ft³ (55 kg/m³).
- The foam meets flammability requirements of CAL117/CAL133/BS5852
- The back is upholstered with single needle top stitch.
- The outside back is covered by an injection-molded polypropylene back cover.
- The fixed back assembly with integral shroud is mounted to the uprights by four screws bolted through the structural 18-gauge/2 mm steel inner back brackets.
- Three pitch options shall be available, 16°, 20°, and 24°, to be set during installation. Overall back height shall be 33.3" (845 mm).

STANDARDS

- The standards are fastened to the floor with two anchors.
- The leg is made of rectangular tubular steel, dimensions 75x25x2 mm, welded to a 2.5 mm drawn steel foot with two holes for floor fixing.
- Arm Caps - Standard in black polypropylene 2.25" (60 mm) wide and 12" (305 mm) long and attached to the arm cap support with two concealed screws.
- Tablet shall be self-storing, gravity-activated, one-motion tablet arm, consisting of a storable writing table top constructed of 9 mm polypropylene, measuring 13.38 x 10.13" (340X257 mm). The tablet arm mechanism shall consist of a pivot arm, pivot mount bracket, and support bracket constructed of 3 mm (14-gauge) steel. Tablet arm will store between the seats, without interfering with the seat.

OPTIONS



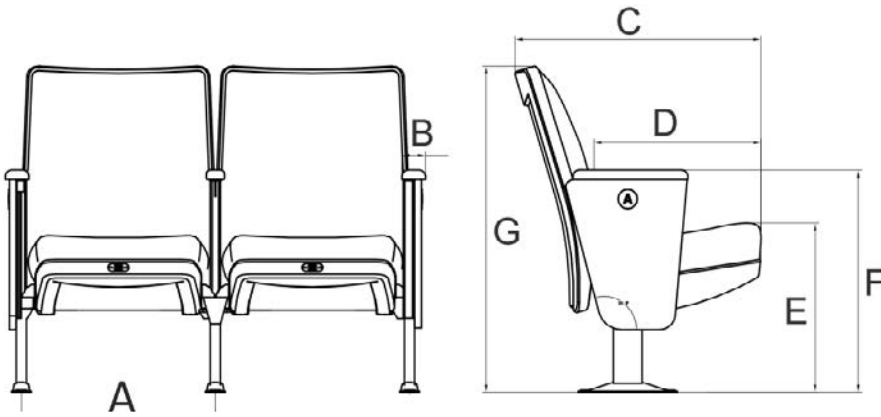
Fold-Away Tablets



Plastic Arm Caps



Seat Numbering Plates



DIMENSIONS

ID	Description	Inches	mm
A	C/C (armrest center to center)	20-22	510-560
B	Arm width	2.4	62
C	Overall depth (at back pitch 16/20/22 DEG.)	2.5/2.6/28	650/680/710
D	Seat depth	17.3	440
E	Floor to seat height	17.5	445
F	Floor to armrest height	23	584
G	Overall height (at back pitch 16/20/22 DEG.)	33.7/33/32.5	855/840/825