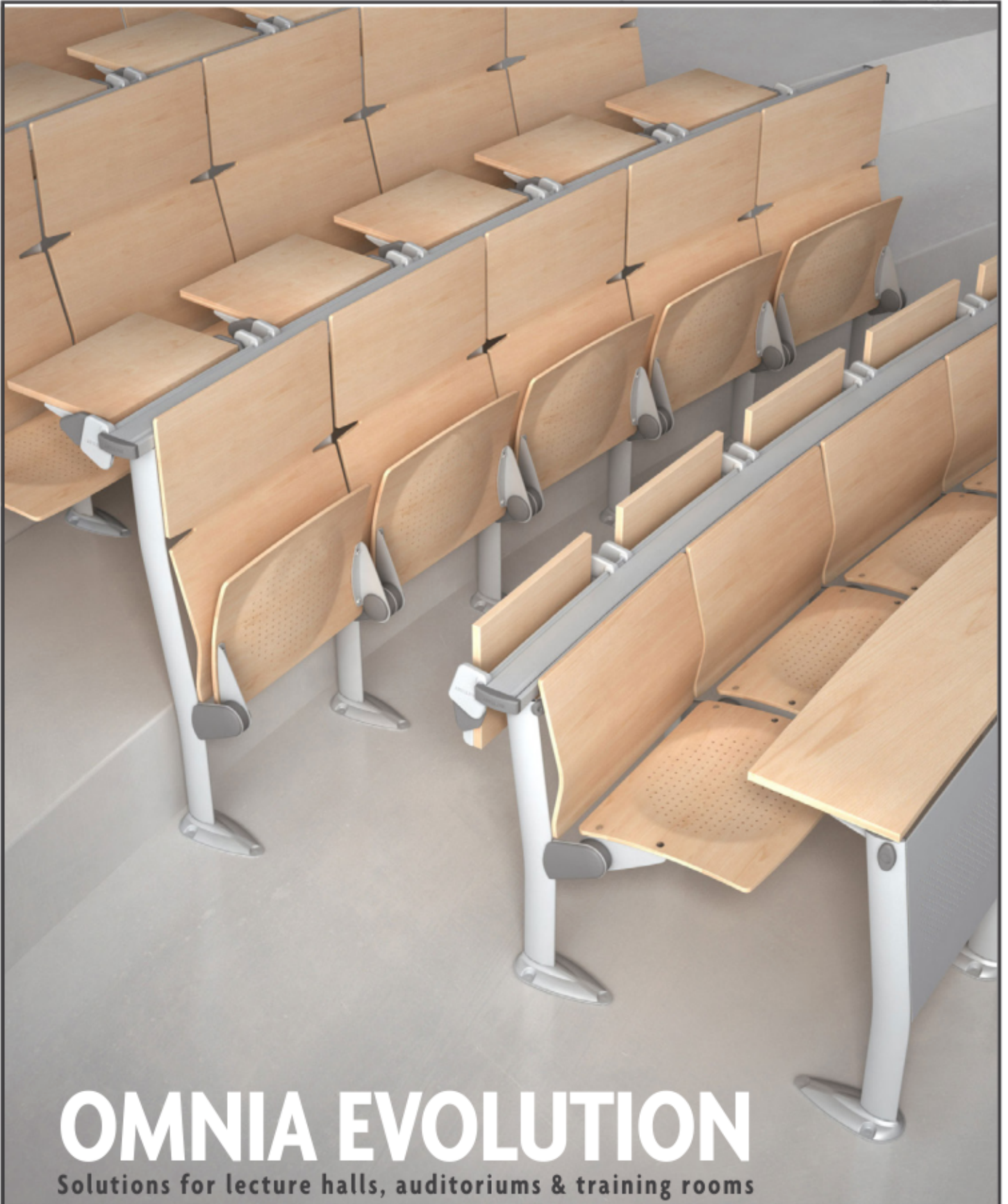



bay 
product



OMNIA EVOLUTION

Solutions for lecture halls, auditoriums & training rooms



bay 
product

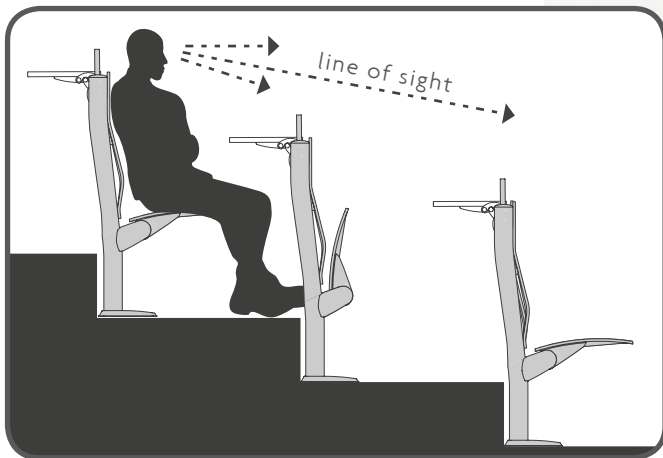




When the Omnia Evolution is installed on a curve, the Flip-Up Anti-Panic tables are secured along an aluminum track. This innovative system enables installation of a worksurface to be positioned directly in front of the user.

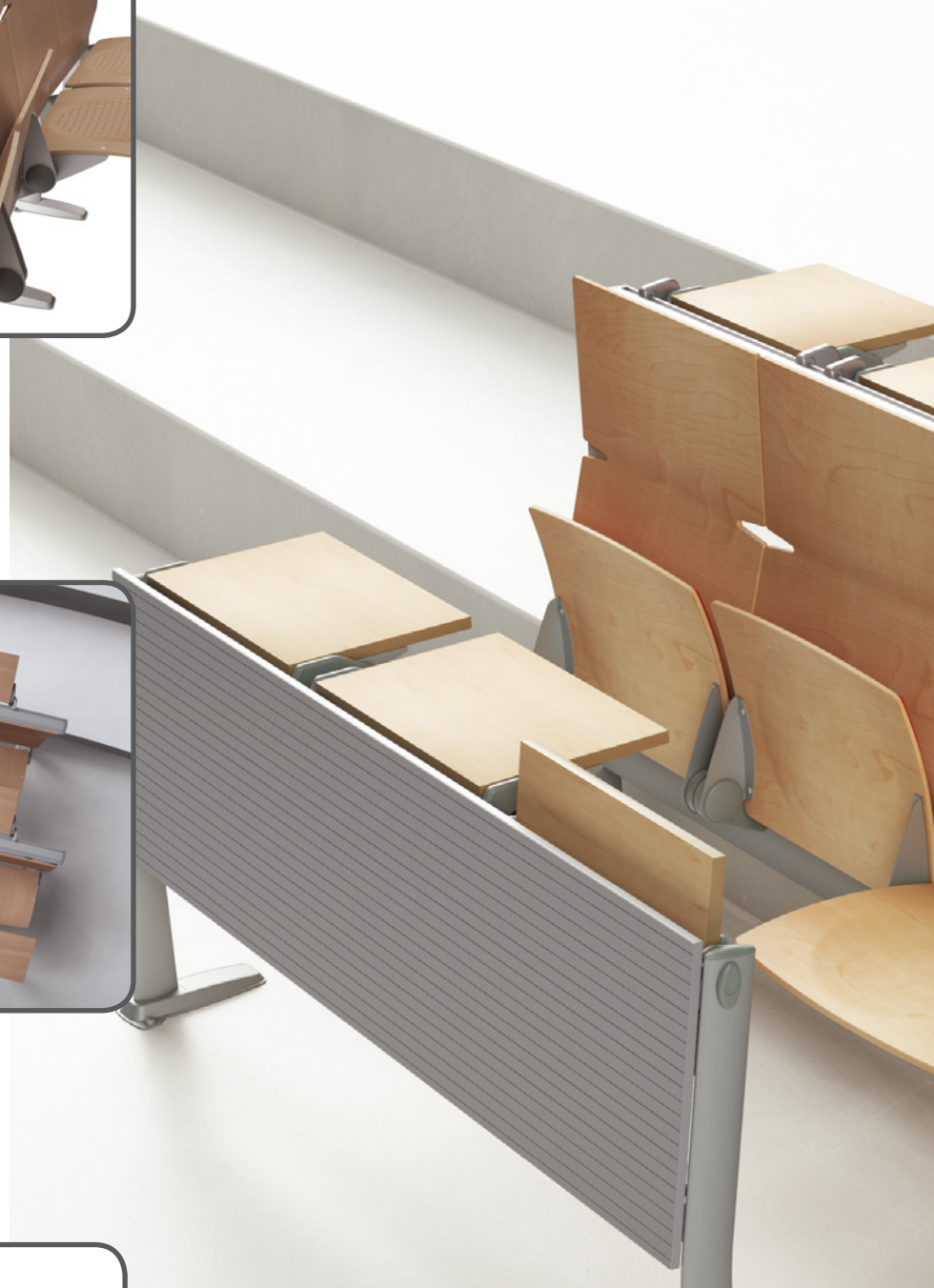


Curved rows have various radii, causing seats not to line up perfectly with the rows in front and back. The curved aluminum track allows the individual tables to be in perfect alignment with the user.



LINE OF SIGHT

The Omnia Evolution was designed with a new vertical steel post suitable for high tiers. The structure can be adapted to suit all tiered heights and offers a more vertical seating position allowing an ideal line of sight.






TRUE ANTI-PANIC INNOVATION

SAFETY FIRST DESIGN

Each Omnia Evolution installation is built to accommodate all space requirements including flat, sloped or tiered floors and straight or curved rows.

Omnia Evolution offers an exclusive patented Flip-Up Anti-Panic table and seat system. This system is very important in case of emergencies when quick and safe exits are needed. When the user stands up, the seat automatically flips up and - at the touch of the body - the Anti-Panic table moves into its stow away position. All structural components and connections are rounded, eliminating sharp edges and safety concerns.

bay 
product

INNOVATIVE DESIGN

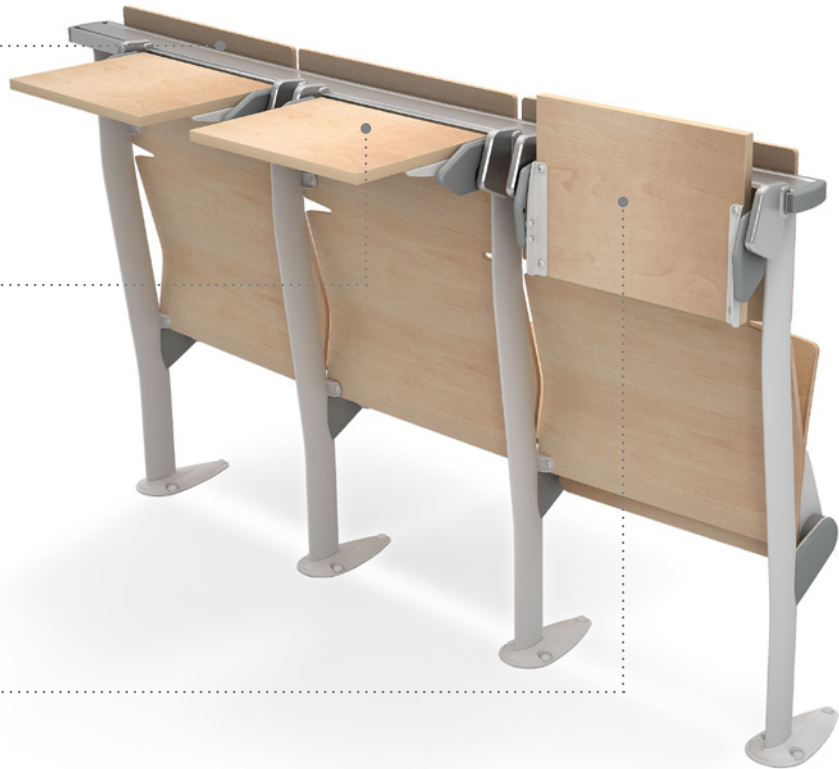
This unique design of the Omnia Evolution is able to accommodate straight and curved rows.

UNIVERSAL DESIGN

The Flip-Up Anti-Panic tables allow for both right and left handed users to sit anywhere they please.

TRUE ANTI-PANIC TABLES

Tables effortlessly fold away at the slightest touch for quick evacuation in case of emergency.



BEAUTY TO MATCH

For installations on tiered floors, a higher back is provided that doubles as a modesty panel and headrest. Both the back and modesty panels are available in laminate or laminate with upholstered panels.

COMFORT & SUPPORT

Double contoured seat and waterfall front edge allow for correct body posture without the need for an upholstery option.

MEMORY SEAT

When unoccupied, seat returns automatically to the upright position using two enclosed coil springs for a soft, smooth motion.

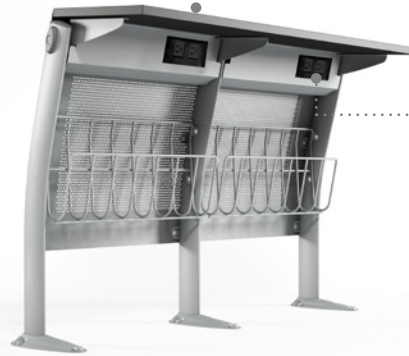
IN THE DETAILS

ADAPTING TECHNOLOGY



CONCEALED WIRE MANAGEMENT

Power connections can be routed from the floor directly into the post for no visible wires.



FUNCTIONAL TABLES

Larger work area can be achieved when specifying the fixed continuous table option.

POWERING UP

Electrical connections and outlets can be placed directly under the fixed table to power electronic devices.

LARGEST INDIVIDUAL WORK SURFACE IN ITS CLASS

Large tables can easily support a laptop, tablet, or notepad *and a coffee!* The standard Flip-Up Anti-Panic table is 12" deep x 16" wide (192 sq. surface area). Additional table depths are available up to 16".



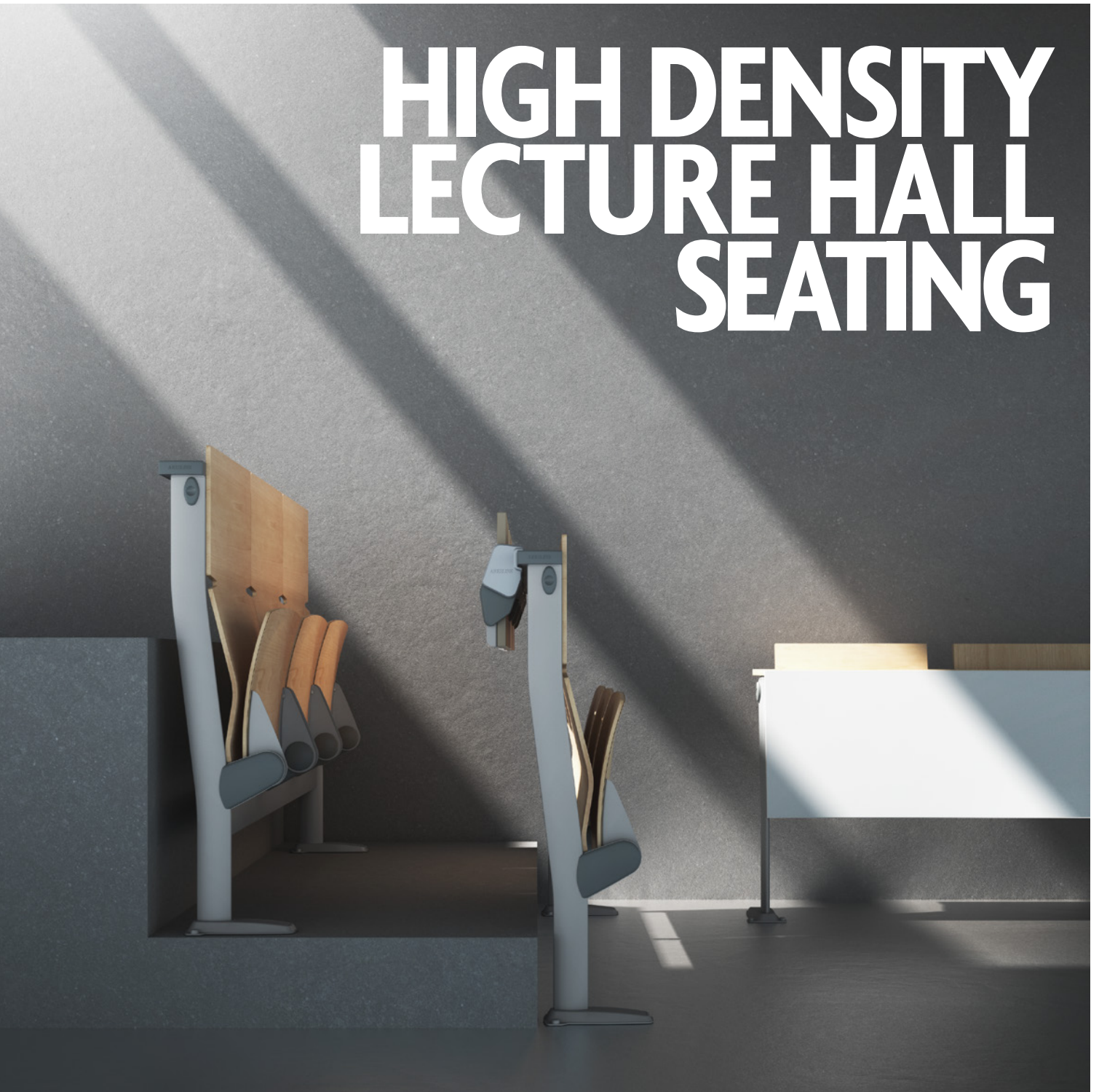
THINKING FORWARD

Power, USB & Data can easily be provided to every user through a built-in wire management channel.

OPTIONAL BEAM DESIGN

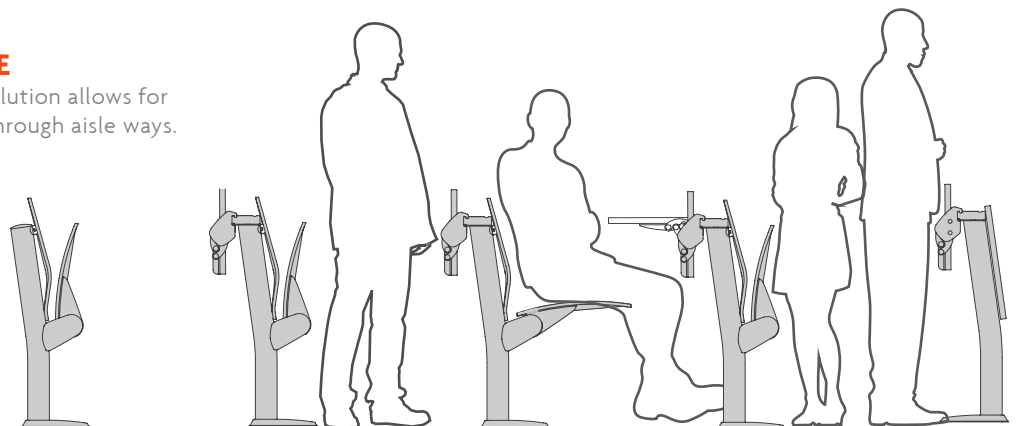
The number of floor contact points are notably less when the Omnia Evolution is installed on a beam. This design allows for accessible floor maintenance.

HIGH DENSITY LECTURE HALL SEATING



TWO PERSON PASSAGE

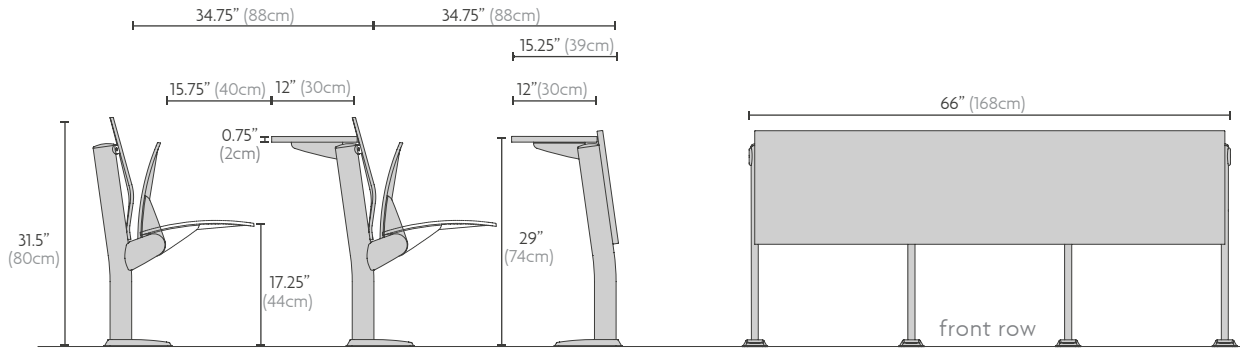
Truly one of a kind, the Omnia Evolution allows for two people to comfortably pass through aisle ways.



TYPICAL INSTALLATION DIMENSIONS

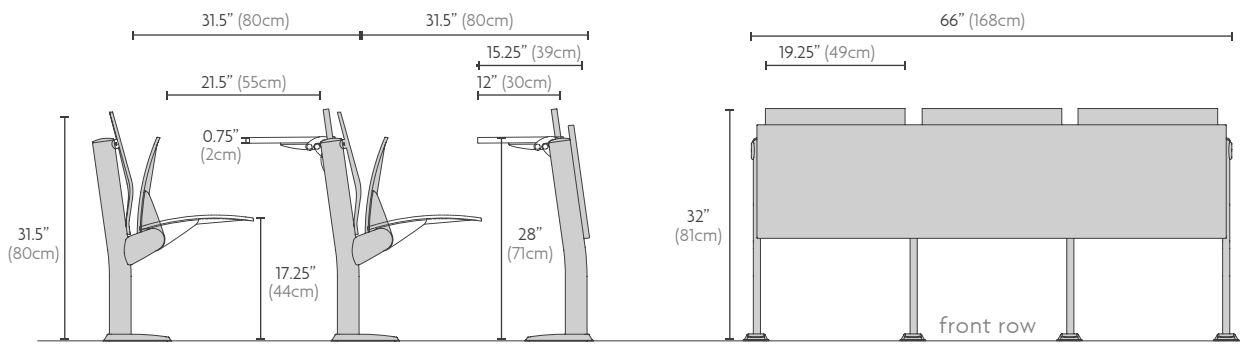
Space between rows can vary based on customer requirements

FIXED CONTINUOUS TABLE



drawing as per 21.65" (55cm) seat center-to-center

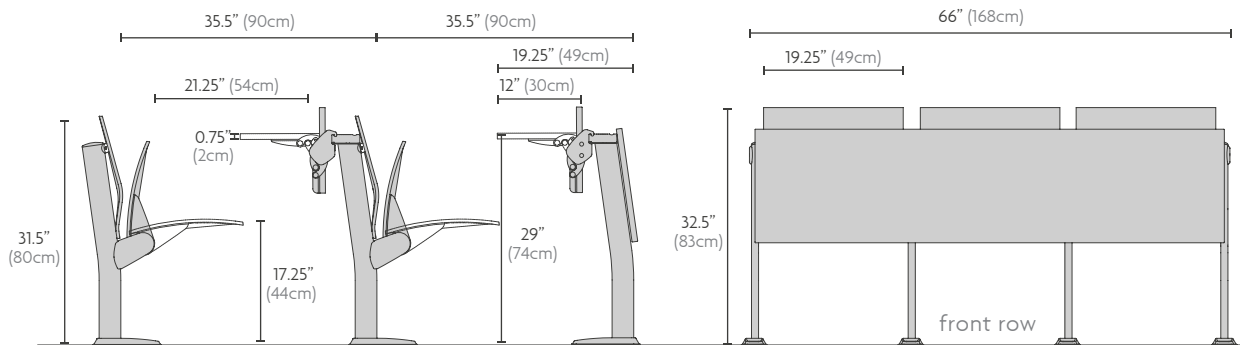
FLIP-UP ANTI-PANIC INDIVIDUAL TABLE



drawing as per 21.65" (55cm) seat center-to-center

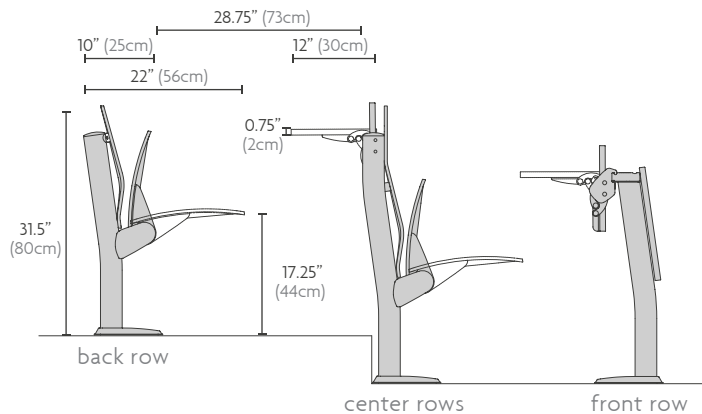
FLIP-UP ANTI-PANIC INDIVIDUAL TABLE ON A CURVE

ALUMINIUM TRACK REQUIRED FOR ADJUSTABILITY



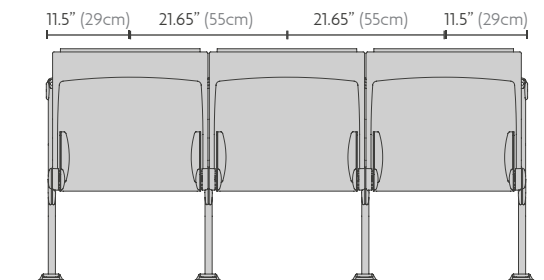
drawing as per 21.65" (55cm) seat center-to-center

TIERED FLOOR



SEAT CENTER-TO-CENTER

OTHER SEAT WIDTHS ARE AVAILABLE



FRONT ROW MODESTY OPTIONS



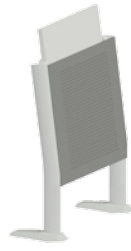
LAMINATE
Laminate Modesty



METAL
Perforated Sheet Metal



ACOUSTIC
Acoustical Panel with
Horizontal Milling



HIGH MODESTY
Typically used when
specifying Beam Option

BACKREST OPTIONS On Flat Floor



LAMINATE/WOOD
Beech Veneer or Laminate



UPHOLSTERED PANEL
Laminate with Upholstered
Panel attached

BACKREST OPTIONS On Tiered Floor



LAMINATE/WOOD
Beech Veneer or Laminate



UPHOLSTERED PANEL
Beech Veneer or Laminate
with Upholstered Panel
attached on backrest only



UPHOLSTERED PANELS
Laminate with Upholstered
Panel on both backrest &
headrest

SEAT OPTIONS



LAMINATE/WOOD
Beech Veneer or Laminate



ACOUSTIC
Beech Veneer with sound-
absorbing micro-pores (not
available in laminate)



UPHOLSTERED PANEL
Laminate with Upholstered
Panel attached



FULLY UPHOLSTERED
Fully padded with 3" foam

TABLE OPTIONS Laminate tables with square edge in ABS aluminum color



FIXED
Continuous Fixed laminate
table secured to the post



ANTI-PANIC SYSTEM
Individual flip-up laminate
tables secured to the post



ANTI-PANIC SYSTEM ON A CURVE
Individual flip-up laminate tables secured
to an aluminum track allows positioning
directly in front of the user

WORK SURFACES

- Flip-Up Anti-Panic Table effortlessly folds away, never pinches and comes standard with safety covers over hinges to protect users from injury
- Anti-Panic Table comes in three depths: Standard 12" (300mm), Plus 13.75" (350mm), Deep 16" (400 mm). Table width is dependent on seat center-to-center dimension
- Fixed Continuous Table comes in three depths: Standard 12" (300mm), Plus 13.75" (350mm) and Deep 16" (400mm)
- Both Fixed and Anti-Panic tables are made of scratch-resistant laminate, with 2 mm ABS edge in aluminum color
- All tables are available in four standard laminate options; Anthracite, Pale Gray, White and Beech

OMNIA EVOLUTION SYSTEM FEATURES

- Versatile design allows for installation on a radius, tiered or sloped floor
- Available as a post system sharing a center leg or available on a beam
- Front row modesty panels are available in laminate, perforated sheet metal or acoustical panel
- Three standard center-to-center seat width dimensions; Compact 20" (510mm), Comfort 21.65" (550mm) and Wide 23.65" (600mm)
- Seats and backs are available in contoured laminate or beech veneer, in contoured laminate with upholstered panels or fully upholstered
- The legs are made of 12 gauge thick elliptical tubular steel
- The automatic returning flip-up seat is mounted on two brass bushings
- The seat and back supports are made of stamped 6 gauge thick steel
- All metal legs and parts are standard in epoxy powder-coated Pale Gray, optional colors Black and White
- Upholstered panels are padded with 0.5" (12 mm) high-density, CFC free polyurethane foam and the fully upholstered seat is padded with 3" (75 mm) foam
- Seat and Back are available in four standard laminate options; Anthracite, Pale Gray, White and Beech
- Best warranty in the industry

TECHNOLOGY AND STORAGE

- Wire book baskets are available for both Fixed and Flip-Up Anti-Panic tables
- Power, USB and Data with wire management channels are optional
- Stand alone Fixed and Anti-Panic tables are available for ADA positions



BOOK BASKET
Horizontal book holder
for Fixed Table



BOOK BASKET
Vertical book holder for
Fixed and Flip-Up Anti-
Panic Table



MULTIMEDIA
Multi-media (Power, USB
& Data) socket for Fixed
Table



MULTIMEDIA
Multi-media (Power,
USB & Data) socket
positioned lower for
Flip-Up Anti-Panic Table